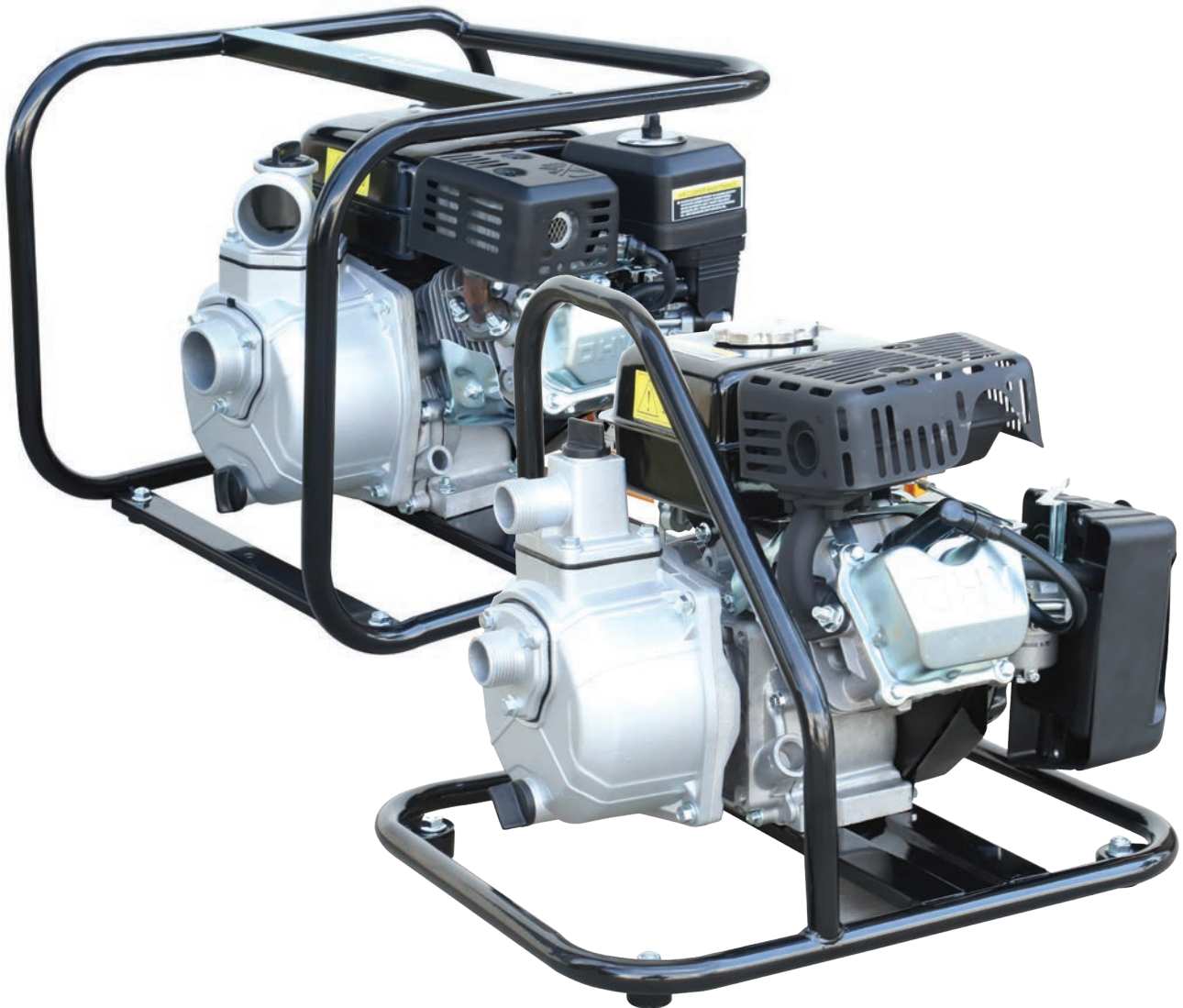


**BIG BOX**  
PRODUCTS

## PETROL ENGINE PUMPS DATASHEET



For more information please contact us on  
(03) 90415858 | [orders@bigboxproducts.com.au](mailto:orders@bigboxproducts.com.au) | [www.bigboxproducts.com.au](http://www.bigboxproducts.com.au)

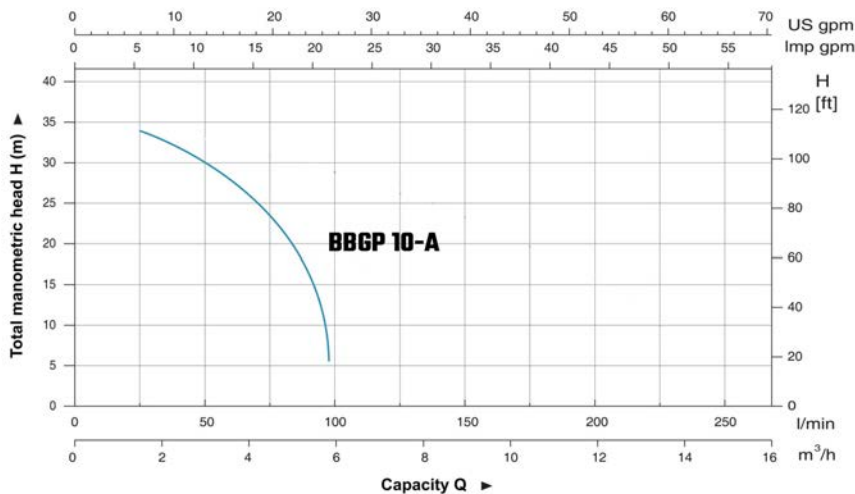
# BBGP 10-A

## Application

1" Petrol Water Pump can be used to transfer clean water with liquid temperature between 0 and 40. Applicable in water supply and drainage for factories, mines, construction, municipal facilities as well as irrigation, etc.

## Features

- New unique design with ergonomic feature.
- Portable and compact pump frame.
- High quality motor with excellent performance and long service life.
- Impeller designed with high efficient hydraulic system.
- Low fuel Consumption.
- Anti-rust Cast iron impeller and diffuser.
- Single cylinder, 2-stroke, Air-cooled.

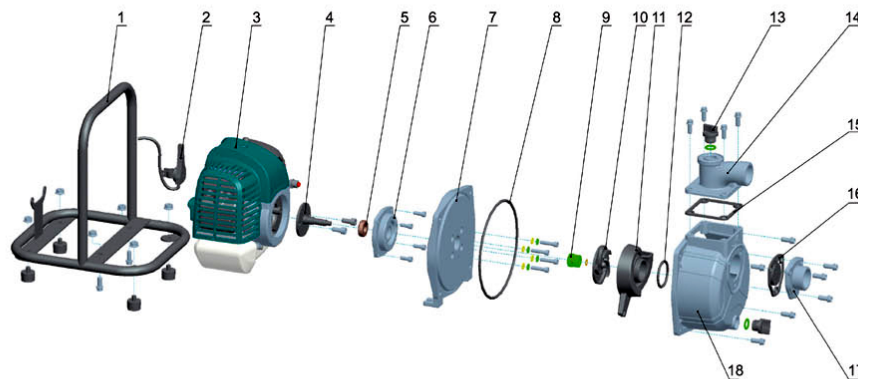


## Specifications

Max Power	3HP
Max Suction	8M
Inlet	25mm
Outlet	25mm
Displacement	42.7cc
Rated Speed	7500 rpm

## Components

1. Steel Frame
2. Throttle
3. Engine
4. Crankshaft
5. Bearing
6. Aluminium Seat Connection
7. Aluminium pump cover
8. O-ring
9. Mechanical seal (carbon/ceramic)
10. Impeller
11. Diffuser
12. O-ring
13. Plug
14. Outlet
15. Seal
16. Non-return valve
17. Inlet
18. Pump body



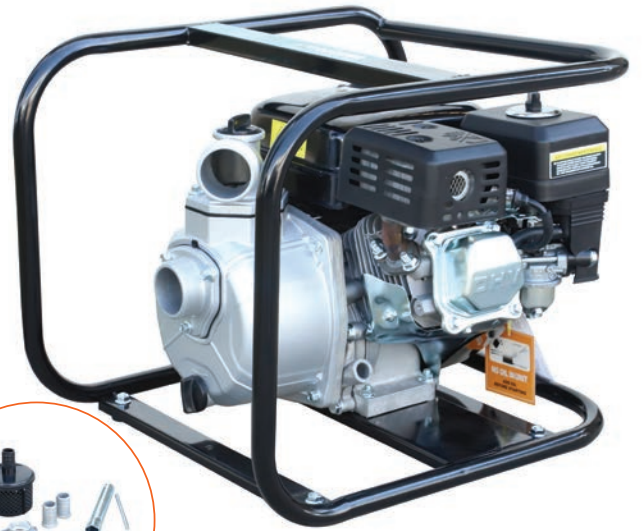
# BBGP 20-A

## Application

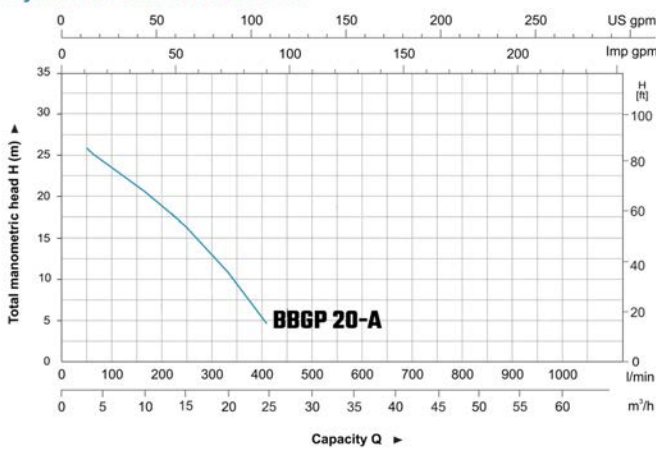
2" Petrol Water Pump can be used to transfer clean water with liquid temperature between 0 and 40 . The pump is applicable in water supply and drainage for factories, mines, construction, municipal facilities as well as irrigation, etc.

## Features

- Strengthened pump body ensure more durable and reliable service.
- Better sealing effect by using special mechanical seal.
- 5-direction outlet for convenient use.
- Improved starter handle for easier starting.
- 20% increased loading quantity thanks to very compact design.
- Anti-rust Cast iron impeller and diffuser.
- High quality forged steel crankshaft.
- Single cylinder, 4-stroke, Air-cooled.



Hydraulic Performance Curves



## Specifications

Max Power	6.5HP
Max Suction	8m
Inlet	50mm
Outlet	50mm
Displacement	163cc
Rated Speed	3600 rpm

## Components

1. Steel Frame
2. Petrol engine
3. Pump cover
4. O-ring
5. Mechanical seal (carbon/ceramic)
6. Impeller
7. Diffuser
8. O-ring
9. Aluminium Pump body
10. Gasket
11. Aluminium Outlet
12. Filling plug
13. Non-return valve
14. Aluminium Inlet

